

TECHNICAL SPECIFICATION

EVT5 - control voltage transformer



Functions:

- Reduction of main voltage within standard range
- Galvanic separation of the power supply circuit from the operation circuit

Technical data:

- Input voltage: 400 or 230 V
- Frequency : 50/60Hz
- Short circuit resistance: unstable
- Temperature class: B (130°C)
- Construction: open (for installation in other products)
- Magnetic circuit: cold rolled electric furnace steel
- Coils: pure electrotechnical copper
- ambient temperature: -20 ÷ +65°C
- IP code: IP20

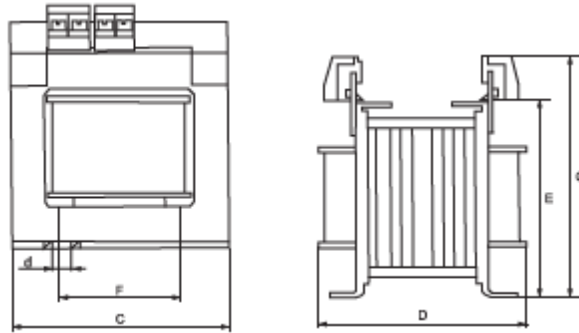
Connection:

- flexible or hard conductors of relevant section to terminals

Mounting:

- Mounting in distribution boards or products
- fastening: by means of screws/bolts to the surface
- position: vertical

Variants and dimensions:



Type	Initial voltage	Secondary voltage	Power VA	Dimensions						Packing / Box (pcs)	Catalogue number
				C	D	E	F	G	d		
EVT5-100VA	230	48-36	100	84	90	63	65	95	4	16	45248
EVT5-100VA	400	48-36	100	84	90	63	65	95	4	16	45448
EVT5-100VA	230	24-12	100	84	90	63	65	95	4	16	45243
EVT5-100VA	400	24-12	100	84	90	63	65	95	4	16	45443

Type	Initial voltage	Secondary voltage	Power VA	Dimensions						Packing / Box (pcs)	Catalogue number
				C	D	E	F	G	d		
EVT5-250VA	230	48-24-12	250	130	100	120	53	130	20	16	45242
EVT5-250VA	230	48-36	250	130	100	120	53	130	20	16	45242N
EVT5-250VA	400	48-24-12	250	130	100	120	53	130	20	12	45442
EVT5-250VA	400	48-36	250	130	100	120	53	130	20	12	45442N
EVT5-250VA	230	24-12	250	130	100	120	53	130	20	12	45244
EVT5-250VA	400	24-12	250	130	100	120	53	130	20	12	45444

Type	Initial voltage	Secondary voltage	Power VA	Dimensions						Packing / Box (pcs)	Catalogue number
				C	D	E	F	G	d		
EVT5-500VA	230	48-24-12	500	150	113	133	53	140	20	4	45245
EVT5-500VA	230	48-36	500	150	113	133	53	140	20	4	45245N
EVT5-500VA	400	48-24-12	500	150	113	133	53	140	20	4	45445
EVT5-500VA	400	48-36	500	150	113	133	53	140	20	4	45445N
EVT5-500VA	230	24-12	500	150	113	133	53	140	20	4	45246
EVT5-500VA	400	24-12	500	150	113	133	53	140	20	4	45446
EVT5-500VA	230	110-48-24	500	150	113	133	53	140	20	4	45215
EVT5-500VA	400	110-48-24	500	150	113	133	53	140	20	6	45415

Type	Initial voltage	Secondary voltage	Power VA	Dimensions						Packing / Box (pcs)	Catalogue number
				C	D	E	F	G	d		
EVT5-1000VA	230	48-24-12	1000	170	125	150	65	155	20	2	45241
EVT5-1000VA	230	48-36	1000	170	125	150	65	155	20	2	45241N
EVT5-1000VA	400	48-24-12	1000	170	125	150	65	155	20	2	45441
EVT5-1000VA	400	48-36	1000	170	125	150	65	155	20	2	45441N
EVT5-1000VA	230	24-12	1000	170	125	150	65	155	20	2	45247
EVT5-1000VA	400	24-12	1000	170	125	150	65	155	20	2	45447

Type	Initial voltage	Secondary voltage	Power VA	Dimensions						Packing / Box (pcs)	Catalogue number
				C	D	E	F	G	d		
EVT5-1600VA	230	48-24-12	1600	190	125	150	65	170	20	2	452416
EVT5-1600VA	230	48-36	1600	190	125	150	65	170	20	2	452416N
EVT5-1600VA	400	48-24-12	1600	190	125	150	65	170	20	2	454416
EVT5-1600VA	400	48-36	1600	190	125	150	65	170	20	2	454416N
EVT5-1600VA	230	24-12	1600	190	125	150	65	170	20	2	452417
EVT5-1600VA	400	24-12	1600	190	125	150	65	170	20	2	454417

Standards

EN 60051-1

